

Fuse Bases For Square Pipe Fuses

Applications

Supporters for NH000 fuses of all kinds (gG, aM, aR) in electric lines (type gG), capable of working under the heat caused by rated current and prospective short-circuit impacting current up to 120KA.

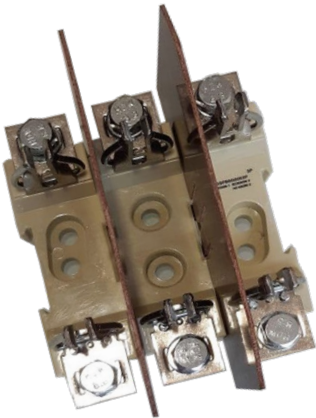
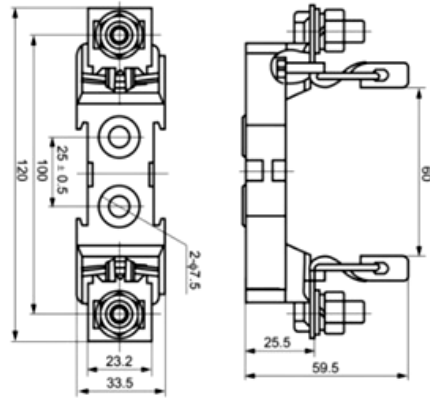
Rated insulation voltage up to 660V; Working frequency AC; Rated current. Compliant with GB13539 and IEC269.

Design Features

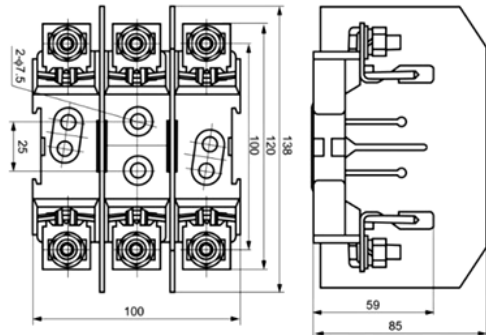
The bases are made up of heat-resistant resin board and wedge-shaped static contacts in an open structure. The product is featured with good heat sinking, high mechanic density, reliable connection and simple cooperation. It is available for all NH000 fuses.



Fuse Base size 000 00 1P



Fuse Base size 000 00 3P



Order Sheet:

Description	Rating (A)	Reference
Fuse Base size 000 00 1P	up to 160A	EDSFB00i0001P
Fuse Base size 000 00 3P	up to 160A	EDSFB00i0003P